



IntesisHome®

FJ-RC-WiFi-1

Wi-Fi interface for Fujitsu, General, Hiyasu and Fuji Electric

1. Dimensions

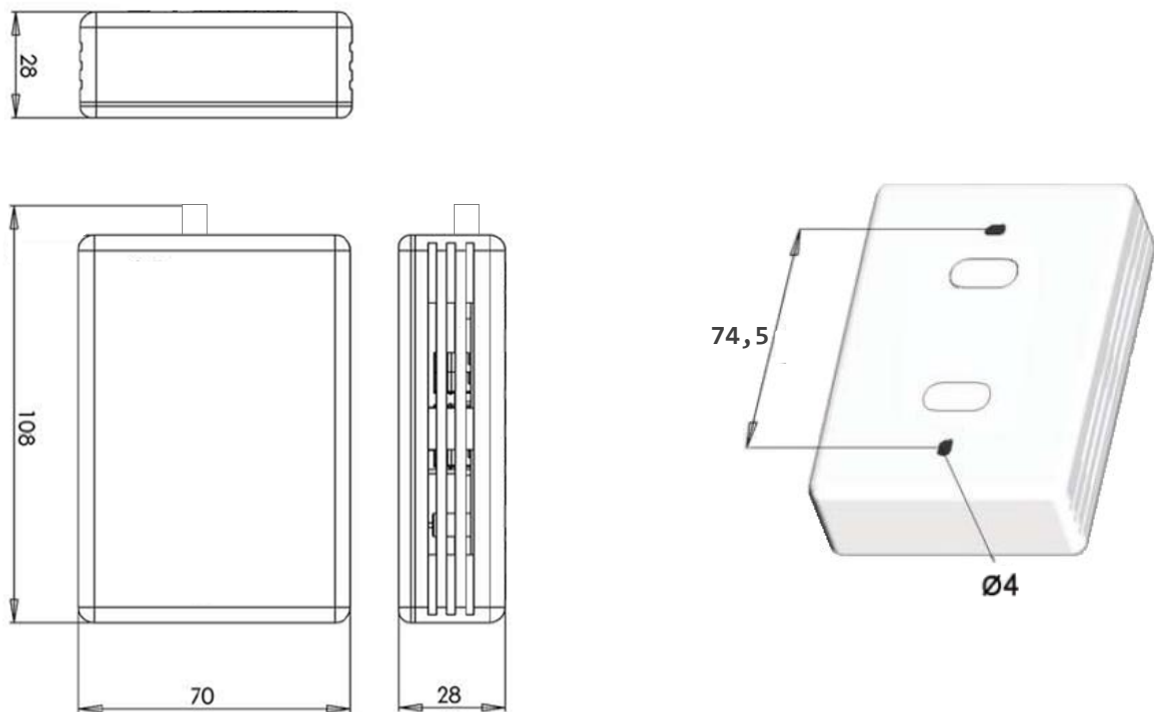


Figure 1.1 IntesisHome® device dimensions in mm and back view with fixing holes

2. Technical Features

Enclosure	ABS (UL 94 HB). 2,5 mm thickness
Dimensions	70 x 108 x 28 mm
Weight	80g
Colour	White
Power supply	12V, 60mA typical Doesn't require external power supply (supplied by the AC Unit)
Mounting	Wall
LED indicators	1 x Device status
Operating Temperature	From 0°C to 40°C
Operating humidity	<93% HR, no condensation
Stock humidity	<93% HR, no condensation
RoHS conformity	Compliant with RoHS directive (2002/95/CE).
Certifications	CE conformity to EMC directive (2004/108/EC) and Low-voltage directive (2006/95/EC) <ul style="list-style-type: none"> • EN 60950-1 • EN 301489-1 v1.8.1 • EN 301489-17 v2.1.1

Table 2.1 Technical features